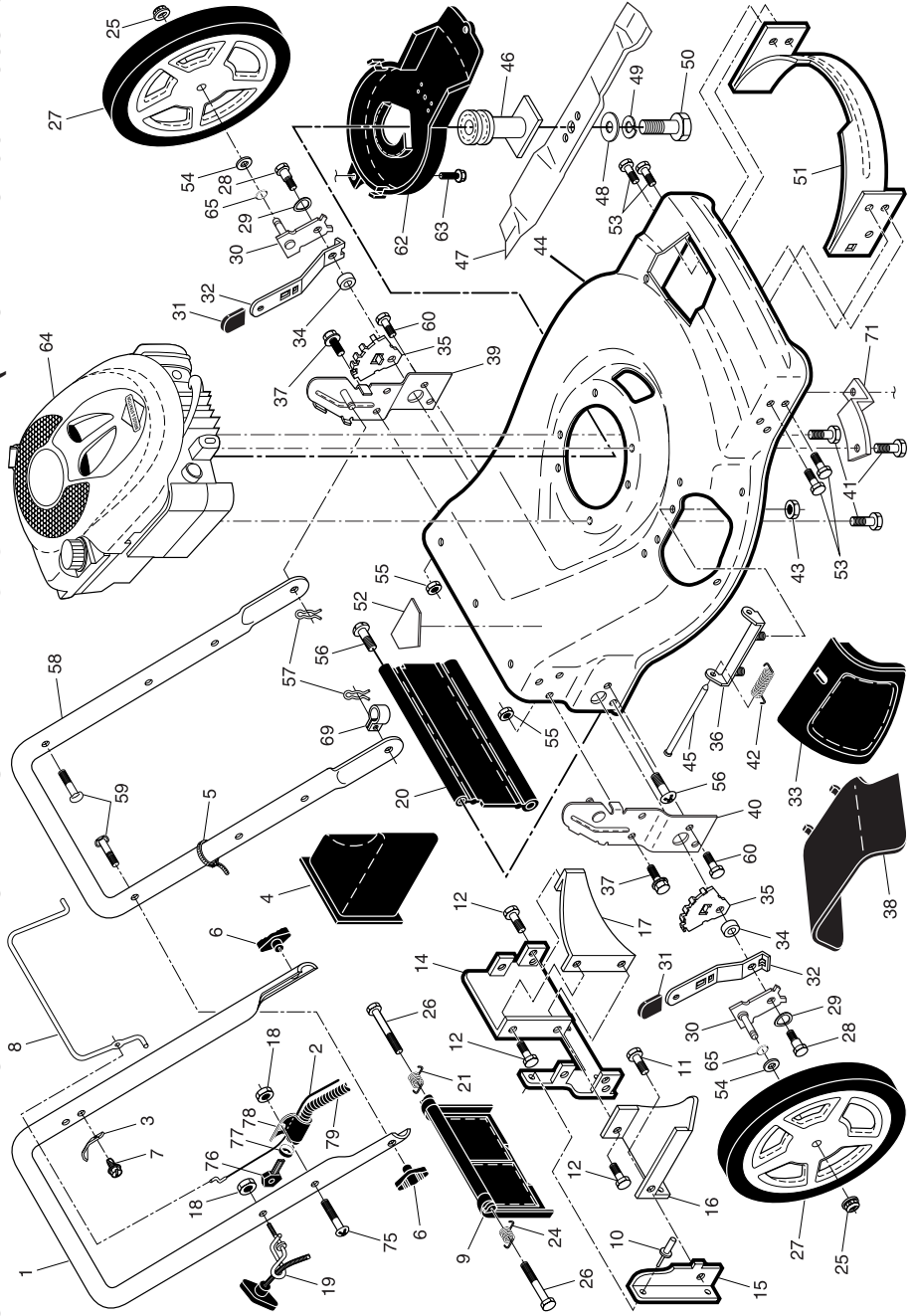


**REPAIR PARTS MANUAL**  
**MODEL NO. PR625Y22RKP**  
**(MFG. ID. NO. 96142005401)**  
**Rotary Lawn Mower**

For Parts and Service, contact our authorized distributor: call 1-800-849-1297  
For Technical Assistance: call 1-800-829-5886

**Poulan PRO**

**Poulan PRO**



## LIMITED WARRANTY

The Manufacturer warrants to the original consumer purchaser that this product as manufactured is free from defects in materials and workmanship. For a period of two (2) years from date of purchase by the original consumer purchaser, we will repair or replace, at our option, without charge for parts or labor incurred in replacing parts, any part which we find to be defective due to materials or workmanship. This Warranty is subject to the following limitations and exclusions.

1. This warranty does not apply to the engine, transaxle/transmission components, battery (except as noted below) or components parts thereof. Please refer to the applicable manufacturer's warranty on these items.
2. Transportation charges for the movement of any power equipment unit or attachment are the responsibility of the purchaser. Transportation charges for any parts submitted for replacement under this warranty must be paid by the purchaser unless such return is requested by the manufacturer.
3. Battery Warranty: On products equipped with a Battery, we will replace, without charge to you, any battery which we find to be defective in manufacture, during the first ninety (90) days of ownership. After ninety (90) days, we will exchange the Battery, charging you 1/12 of the price of a new Battery for each full month from the date of the original sale. Battery must be maintained in accordance with the instructions furnished.
4. The Warranty period for any products used for rental or commercial purposes is limited to 45 days from the date of original purchase.
5. This Warranty applies only to products which have been properly assembled, adjusted, operated, and maintained in accordance with the instructions furnished. This Warranty does not apply to any product which has been subjected to alteration, misuse, abuse, improper assembly or installation, delivery damage, or to normal wear of the product.
6. Exclusions: Excluded from this Warranty are belts, blades, blade adapters, normal wear, normal adjustments, standard hardware and normal maintenance.
7. In the event you have a claim under this Warranty, you must return the product to an authorized service dealer.

Should you have any unanswered questions concerning this Warranty, contact:

Poulan Pro  
Customer Service Department  
1030 Stevens Creek Road  
Augusta, GA 30907 USA

In Canada contact:  
Poulan Pro  
Customer Service Department  
5855 Terry Fox Way  
Mississauga, Ontario L5V 3E4

giving the model number, serial number and date of purchase of your product and the name and address of the authorized dealer from whom it was purchased.

**THIS WARRANTY DOES NOT APPLY TO INCIDENTAL OR CONSEQUENTIAL DAMAGES AND ANY IMPLIED WARRANTIES ARE LIMITED TO THE SAME TIME PERIODS STATED HEREIN FOR OUR EXPRESSED WARRANTIES.**

Some areas do not allow the limitation of consequential damages or limitations of how long an implied Warranty may last, so the above limitations or exclusions may not apply to you. This Warranty gives you specific legal rights, and you may have other rights which vary from locale to locale.

This is a limited Warranty within the meaning of that term as defined in the Magnuson-Moss Act of 1975.

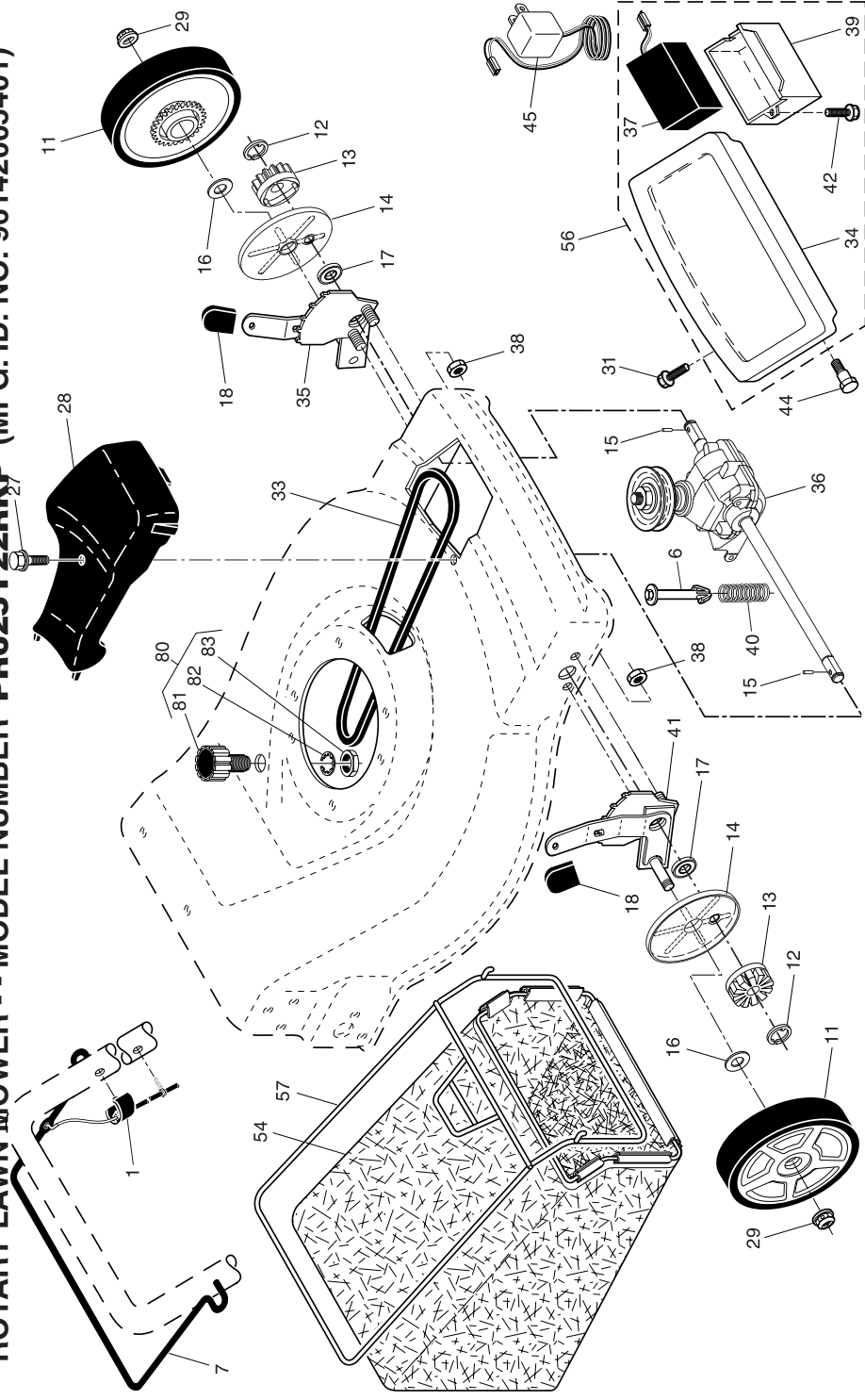
## ROTARY LAWN MOWER - - MODEL NUMBER PR625Y22RKP (MFG. ID. NO. 96142005401)

KEY NO.	PART NO.	DESCRIPTION	KEY NO.	PART NO.	DESCRIPTION	KEY NO.	PART NO.	DESCRIPTION
1	427619X479	Upper Handle	30	401180X004	Axle Arm Assembly	53	17600406	Screw, Serrated, TT 1/4-20
2	401994	Cable, Operator Presence	31	701037X421	Selector Knob	54	88348	Washer, Flat
3	850733X004	Bracket, Upstop	32	401626X004	Selector Spring	55	73930600	Nut, Hex 3/8-16
4	166649	Mulcher Plug	33	189917X428	Mulcher Door	56	88652	Hinge Screw 1/4-20 x 1-1/4
5	66426	Wire Tie	34	401629	Spacer	57	51793	Hairpin Cotter
6	189713X428	Handle Knob	35	700325X005	Wheel Adjusting Bracket	58	400512X479	Lower Handle
7	750634	Screw	36	175735	Hinge Bracket Assembly	59	191574	Handle Bolt
8	427414X421	Control Bar	37	17000512	Screw, Sems, Thread Cutting	60	74760612	Bolt, Hex Head 3/8-16 x 3/4
9	401813X428	Rear Door Assembly	38	402574X428	Discharge Deflector	62	405843	Debris Shield
10	128415	Pop Rivet	39	195915X479	Handle Bracket Assembly, LH	63	192325	Screw, Debris Shield
11	150050	Screw, Self-Tapping #10-24 x 5/8	40	195914X479	Handle Bracket Assembly, RH	64	---	Engine, Briggs & Stratton, Model Number 122T05-4846-EA (For engine service and replacement parts, call Briggs & Stratton at 1-800-233-3723)
12	17060410	Screw, Hex Hex Head, Sems 1/4-20 x 1/2	41	150406	Screw, Hex Head, Threaded, Rolled 3/8-16 x 1-1/8	65	197480	O-Ring
14	195622X479	Back Plate	42	193000	Spring, Torsion	69	197991	Clip, Cable
15	410545X479	Side Baffle	43	73800400	Nut, Hex, Nylock	71	188839X004	Mounting Bracket, Debris Shield
16	176655X479	Discharge Baffle	44	419559	Kit, Mower Housing (Includes Key Numbers 14, 15 and 51)	75	186159	Screw
17	140661X479	Rear Baffle	45	175650	Rod, Hinge	76	180331	Key
18	132004	Keps Locknut 1/4-20	46	189179	Blade Adapter / Pulley	77	194848	Nut, Cap
19	194788	Rope Guide	47	406713	Blade, 22"	78	189686	Key Start Switch
20	413160	Rear Skirt	48	851074	Washer, Hardened	79	409567	Wiring Harness
21	405421	Spring, Rear Door, LH	49	850263	Washer, Helical	--	404764	Warning Decal (not shown)
24	405423	Spring, Rear Door, RH	50	851084	Screw, Machine, Hex Head 3/8-24 x 1-3/8 Grade 8	--	193733	Operator's Manual, English
25	409149	Nut, Hex, Flanged	51	170031	Kit, Front Baffle	--	193736	Operator's Manual, French
26	184193	Bolt, Rear Door	52	404763	(Includes Key Number 53) Danger Decal	--	427789	Repair Parts Manual
27	195012X421	Wheel & Tire Assembly, Rear						
28	174719	Bolt, Shoulder 3/8-16 x 1						
29	401630	Washer, Curved, Cylindrical						

**NOTE:** All component dimensions given in U.S. inches. 1 inch = 25.4 mm.

**IMPORTANT:** Use only Original Equipment Manufacturer (O.E.M.) replacement parts. Failure to do so could be hazardous, damage your lawn mower and void your warranty.

**ROTARY LAWN MOWER -- MODEL NUMBER PR625Y22RKP (MFG. ID. NO. 96142005401)**



**ROTARY LAWN MOWER -- MODEL NUMBER PR625Y22RKP (MFG. ID. NO. 96142005401)**

KEY NO.	PART NO.	DESCRIPTION	KEY NO.	PART NO.	DESCRIPTION
1	194653	Drive Control Assembly (Includes Cable)	36	415226	Gear Case Assembly, Complete
6	150495	Retainer, Spring	37	189589	Battery
7	194185X421	Bar, Drive Control	38	73800400	Locknut 1/4-20
29	409148	Locknut, Hex	39	186237	Battery Box
11	193912X421	Wheel & Tire Assembly, Front	40	137090	Spring
12	12000058	E-Ring	41	424200	Kit, Wheel Adjuster, RH
13	403849	Pinion	42	17411308	(Includes Knob and Bearing)
14	189403	Dust Cover	44	175551	Screw, Battery Box
15	404845	Pawl, Drive	45	190097	Screw, Trimplate
16	67725	Washer, Flat 3/8	45	190097	Charger, Battery
17	191039	Bearing, Wheel Adjuster	54	411062	Grassbag Assembly
18	701037X421	Selector Knob	56	191252	Trimplate/Battery Box/Battery Assembly
27	175262	Pan Head Tapping Screw #10-24 x 2-3/4	57	411952	Frame, Grassbag
28	401271X428	Drive Cover	80	421114	Water Washout Assembly
31	141841	Screw, Trimplate	81	419735	Fitting, Hose, Water Washout
33	146527	V-Belt	82	415585	Washer, Lock, Internal Tooth
34	411190	Trimplate	83	415586	Locknut, Hex, with O-Ring
35	424201	Kit, Wheel Adjuster, LH (Includes Knob and Bearing)			

**IMPORTANT:** Use only Original Equipment Manufacturer (O.E.M.) replacement parts. Failure to do so could be hazardous, damage your lawn mower and void your warranty.

**NOTE:** All component dimensions given in U.S. inches. 1 inch = 25.4 mm.